

GCWEIL

GFM

Film storage





Film storage for 16 rolls of film, net or coverfilm



In use with the round bale wrapper G1015



The GFM is hydraulically lowerable



Additional equipment: Light system

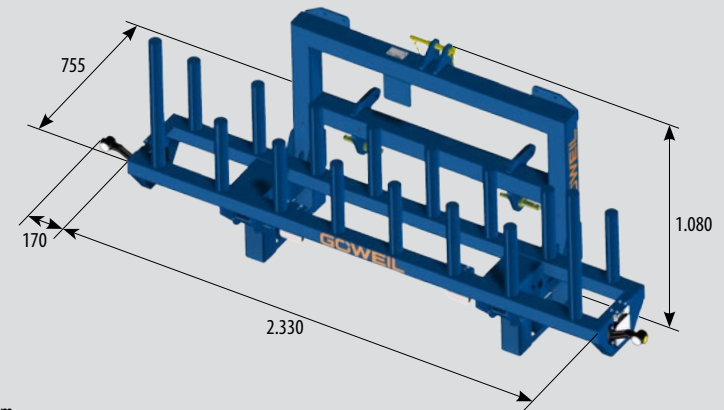
GFM

Film storage

For the transport of 16 rolls of film or 14 rolls of film and two rolls of net or coverfilm

GOWEIL

Basic Equipment / Technical Data / Additional Equipment



Dimensioning in mm

Basic Equipment:

- Double-acting hydraulic control device required
- Cat. I and Cat. II three-point linkage
- Weight: 250 kg
- L x W x H / 2.330 x 755 x 1.080 mm

Mounting Options:

- Euro capture frame
- Hauer B, Merlo, Merlo ZM3, MX, SMS
- Dieci, Dieci Dedalus, Kramer, Schäffer to 3550, Schäffer from 3550T, Zettelmeyer 602, CAT 907H/ Liebherr L507, Avant, Bobcat
- Adaptor Weiste triangle cat. II

Additional Equipment:

- Light system
4 working lights & marker light - controllable with radio remote control